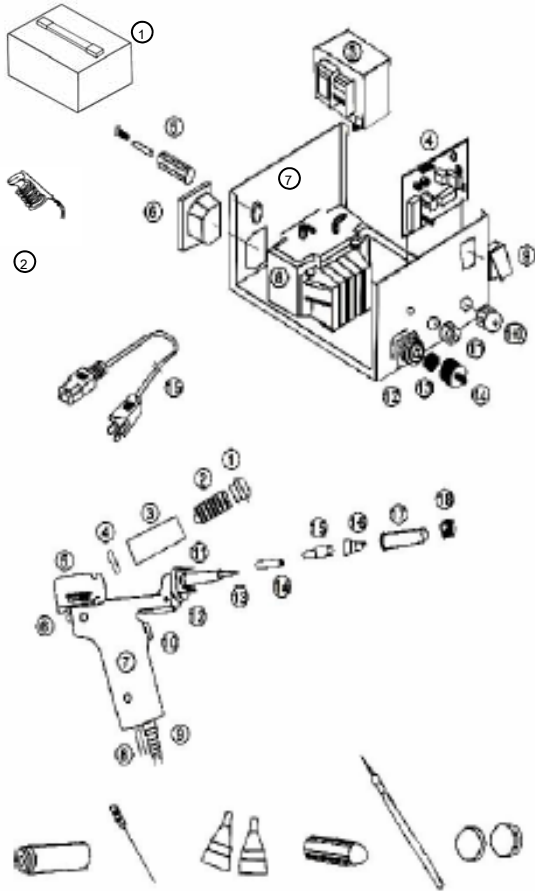


SPARE PARTS LIST



No.	Part No.	Part Name
1	20411	Station Top Cover
2	201412	Spring Holder
3	10046	80W Transformer
4	10474A	Circuit Board
5	10017	Fuse Holder
	10020	1A Fuse
6	10014	Power Cord Receptacle
7	20401	Station Base
8	P006	Diaphragm Pump
9	10117	Switch
10	30130X	Control Knob
11	10127	Soldering Iron Receptacle
12	3001X	Vacuum Receptacle
13	30180X	Carbon Filter
14	3006X	Vacuum Cover
15	10009	Power Cord

No.	Part No.	Part Name
1	3024X	Casing
2	201252	Spring Filter
3	3022X	Filter Pipe
4	30180X	Ceramic Paper Filter
5	3025X	Back Holder Assembly
6	3021X	Release Knob
7	3072D	Housing
8	3043J	Hose
9	10050	Cord Assembly
10	3020X	Trigger
11	4023	3*6 Screw
12	201282	Metal Ring
13	C004	Heating Element
14	20129	Tip Cylinder
15	10232	Tip Lock Cylinder
16		Nozzle
17	20130	Tip Enclosure
18	20169	Outer Nut

No.	Part No.	Part Name
1	3022X	Filter Pipe
2	201242	Cleaning Pin
3	201212	1.8 mm
	202092	1.5 mm
	202082	1.2 mm
4	201252	Spring Filter
5	20178	Cleaning Drill
6	30180X	Ceramic Paper Filter

Manufacturer:
AOYUE TONGYI ELECTRONIC
EQUIPMENT FACTORY
 Jishui Industrial Zone, Nantou, Zhongshan
 City, Guangdong Province, P.R.China
<http://www.aoyue.com>

AOYUE® 474A+

DESOLDERING STATION

INSTRUCTION MANUAL

Thank you for purchasing 474A+ Desoldering Station.
 Please read the manual before using the unit.
 Keep manual in accessible place for future reference.

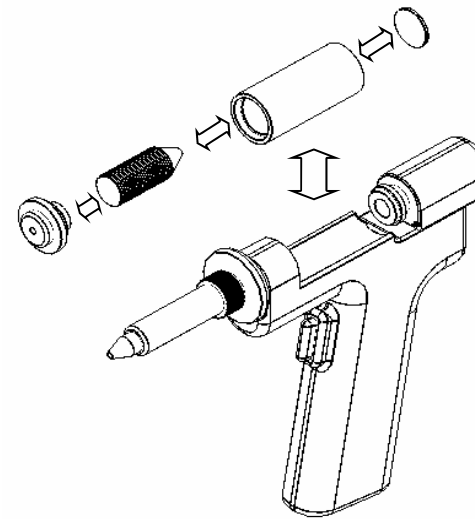
CAUTION

Please remember to remove the pump securing screw (M4×10 marked red) from the bottom of the station before using. Failure to do so may cause damage to the unit.

TABLE OF CONTENTS

Package Inclusion	4
Care and Safety Precaution	5
Specifications	6
Features	6
Parts Guide	7
Operation Guidelines	8-9
Maintenance	10

DESOLDERING GUN MAINTENANCE



After extracting the Filter Barrel Assembly we can now take out the filter spring or the filter pads for cleaning or replacement.

Re-assemble Filter Barrel assembly and place back to the de-soldering gun body.

Push the Filter dock back in place a "click" sound would signify that the filter dock is properly secured.

Using Cleaning pin:

Caution: Desoldering gun will be hot during maintenance please use proper materials and equipments to avoid injuries.

1. When suction efficiency has deteriorated the desoldering gun might be clogged follow these directions to properly clean the desoldering gun.
2. Turn on the desoldering gun and wait for the nozzle to heat up.
3. Slowly insert the cleaning pin while turning the cleaning pin clockwise.
4. Pull out the cleaning pin in a straight motion.

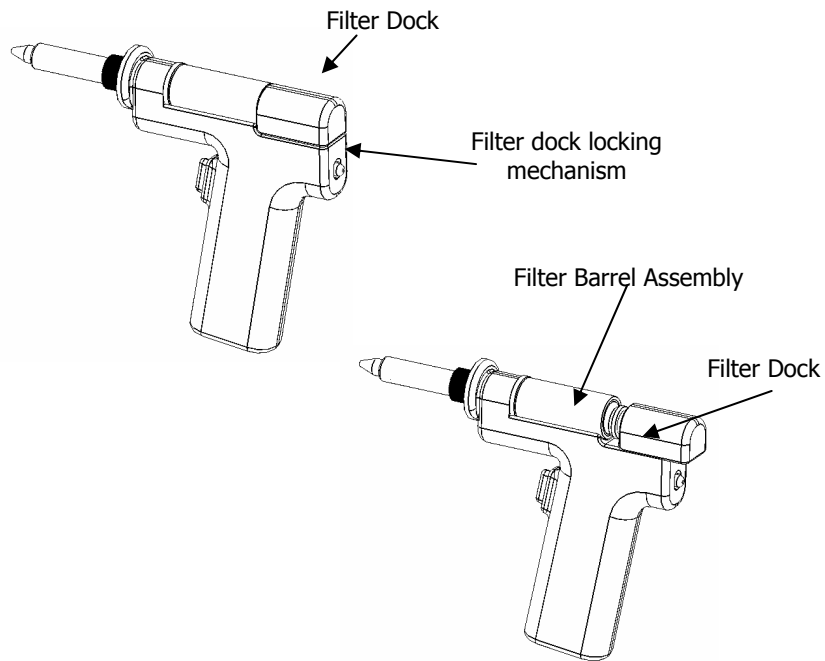
DESOLDERING GUN MAINTENANCE

Changing nozzle:

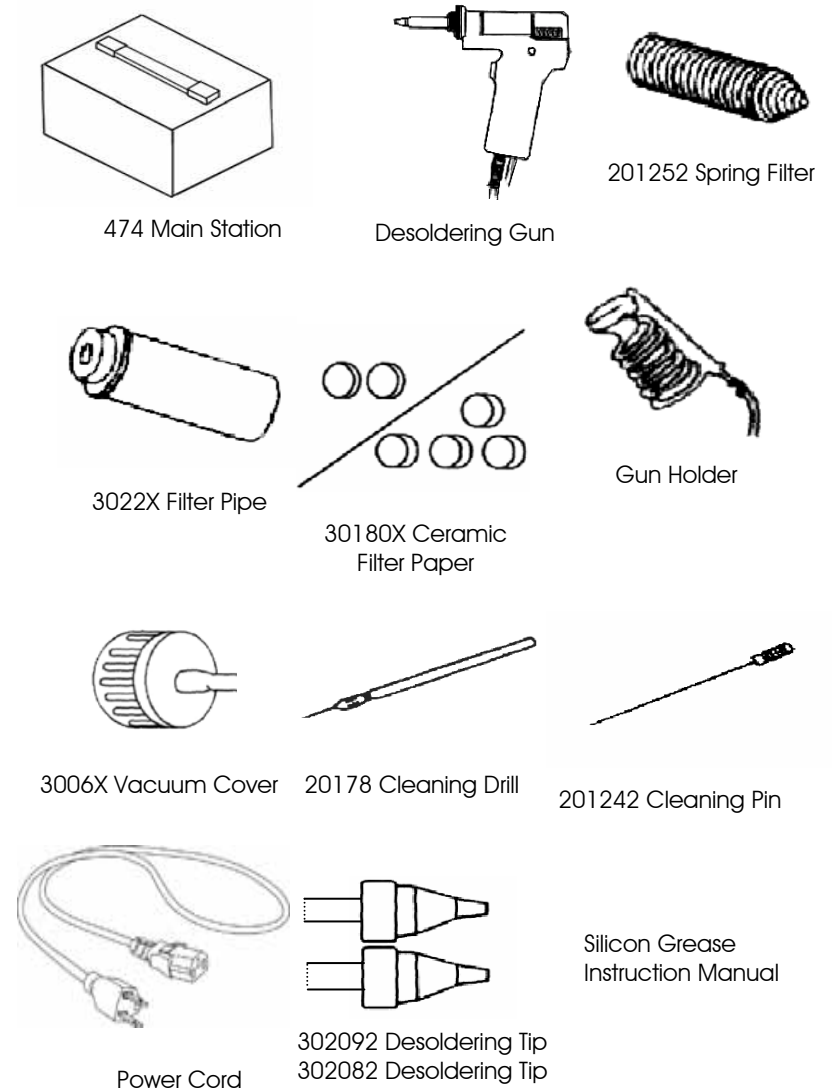
- Unscrew the securing lock and pull out the heater external housing together with the securing lock, Nozzle can now be changed. Re-secure nozzle by tighten the securing lock on its receptacle.

Changing Filter pad and Filter Spring:

- Unlock the filter dock by toggling the filter dock locking mechanism. The filter dock would push out to allow easy extraction of the filter barrel assembly which houses the filter pad, filter spring and filter barrel cap.



PACKAGE INCLUSION



CARE and SAFETY PRECAUTIONS



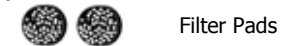
CAUTION: Misuse may cause extensive damage to the unit.
For your own safety, be sure to comply with the following precautions.

- Check every component after opening the package whether everything is in good working condition. If there are any damages suspected, don't use the item and contact your dealer.
- Upon using, please make sure that the plug is properly grounded. When moving the unit to another location, be sure to turn off the power switch and remove the plug.
- Do not disassemble/modify unit, high voltage pressure inside unit may cause damages.
- Do not allow nozzle tip to touch board directly.
- Unit produces heat, use under ventilated environment.
- Disconnect plug when not to be used for a long period of time.
- Do not strike or subject to physical shock the main unit or any parts of the system. Use carefully and lightly so as not to damage any parts.
- Be sure the unit is grounded. Always connect power to a grounded receptacle.

DESOLDERING GUN MAINTENANCE

General Guidelines:

- Before usage dampen the filter pads with a little bit of water to allow efficient air passage and filter action, re-dampen pads frequently for maximum efficiency.



Filter Pads

- Routinely clean Spring Filter, and replace filter pads when they are dirty or clogged.



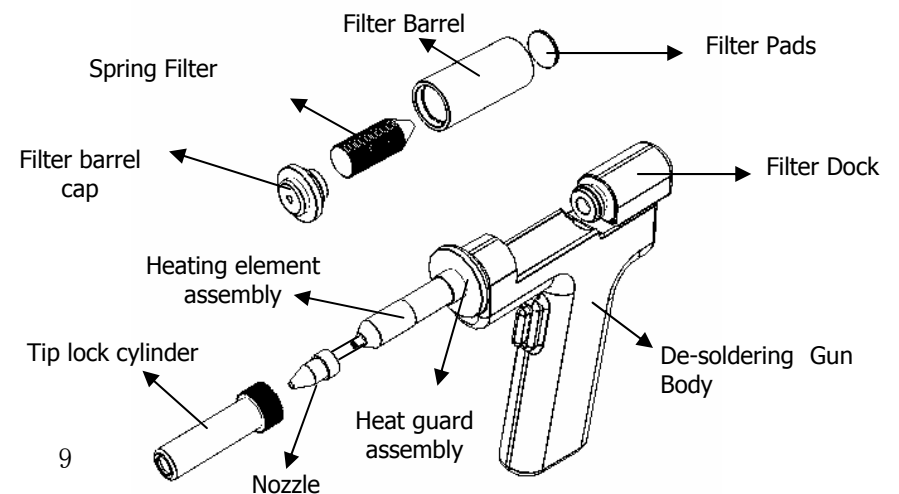
Filter Spring

- The solder pathway can be cleaned using the provided Nozzle cleaning pin, use the cleaning pin when pathway seems clogged.



Nozzle cleaning pin

Disassembled illustration:



OPERATION GUIDELINES

II. Melt the solder

1. Apply the nozzle to the soldered part and melt the solder.
** Do not touch nozzle to board.*
2. Try to check the inside of the hole and the backside of the PCB if solder is melted.
3. Try moving the solder using the desolder gun nozzle, if it moves easily then it means that solder is completely melted but do not force it.

III. Absorb the solder

1. After checking that solder is completely melted, position the desolder gun then absorb the solder by pulling the trigger.
** Be careful not to leave any solder remain in the hole.*
2. After fully absorbing all the solder, cool the soldering junction in order to prevent it from becoming resoldered.

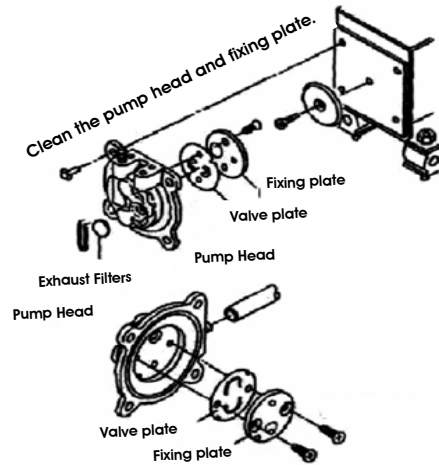
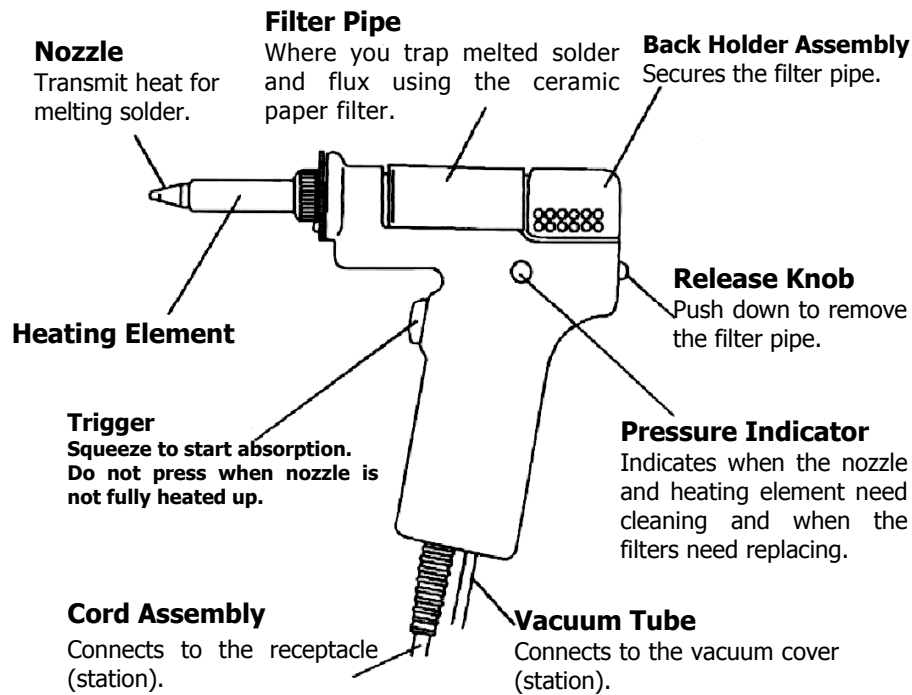
SPECIFICATIONS

Power Input :	available in 110V / 220V
Power Consumption:	90W (Max)
Temperature Range:	150°C - 380°C
Heating Element:	Heating Element
Output Voltage:	24V
Tip to Ground Resistance:	Below 2 Ω
Tip to Ground Potential:	Below 2mV
Suction Flow:	15 l /min (max)
Vacuum Generator:	Double Cylinder
Vacuum Pressure:	600mm Hg
Station Dimensions:	188(w) x 127(h) x 244(d) mm
Weight:	5.3Kg

FEATURES

- Compact unit with air cylinder type strong suction vacuum pump.
- Suited for multi-layered PCB reworking.
- The heating element and tip are designed closely to guarantee enough temperature during desoldering.

PARTS GUIDE



OPERATION GUIDELINES

I. Connections

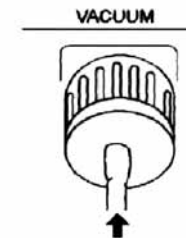
1. Connect the cord assembly of the Desoldering Gun to the receptacle .
2. Connect the tube to the vacuum outlet cap.
3. Connect the power cord.



Insert the cord assemble by keying the plug to the key on the receptacle.



Secure the plug by turning it clockwise.



Fully insert the vacuum tube in the vacuum outlet cap.

NOTE:

- Confirm that the power switch is set to "**OFF**", before connecting the power plug to the power supply
- Check if the *indicator light* lights up when you turn the unit "ON".
- The suction nozzle begins to heat up as soon as the desoldering switch is turned on.
- After turning the switch to "**ON**"; wait for a few minutes (until suction nozzle fully heats up) before beginning desoldering operations.